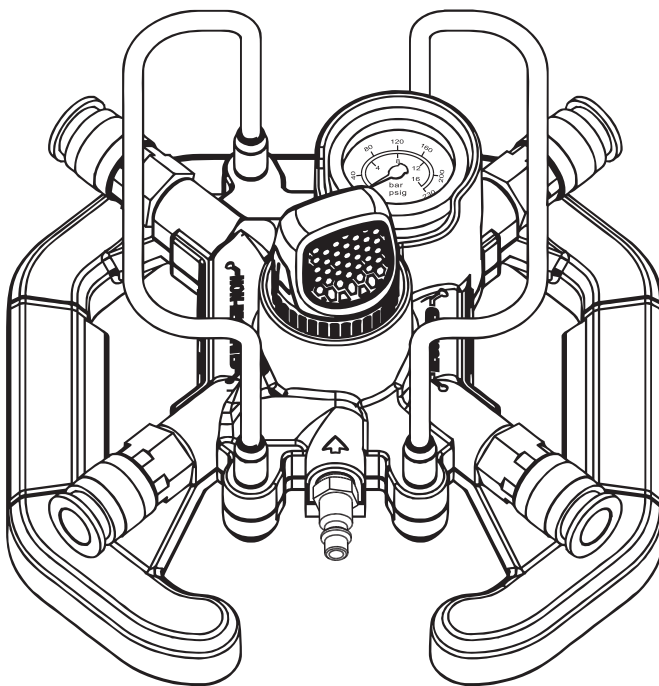


OPERATING INSTRUCTIONS AND PARTS MANUAL

AIR SPLITTER (Model: LS-001)

Thanks for your purchasing our air hopper gun
and please read this Instruction Manual carefully
and thoroughly before operating the tool to do your best jobs.



CE

TABLE OF CONTENTS

Safety Information	3
Package Contents	5
Preparation	5
Assembly Instructions	6
Operating Instructions	7
Care and Maintenance	9
Troubleshooting	10
Warranty	10
Replacement Parts List	11



SAFETY INFORMATION

Please read and understand this entire manual before attempting to operate the product.

▲WARNING

Improper operation or maintenance of this product could result in serious injury and property damage. Read and understand all warnings and operation instructions before using this equipment. When using this equipment, basic safety precautions should always be followed to reduce the risk of personal injury.

▲WARNING

For your own safety, read the air compressor instruction manual before using any accessory. Failure to follow these warnings may result in personal injury and serious damage to the air compressor and the accessory. When servicing this equipment, use only identical replacement parts.

▲WARNING

This product contains one or more chemicals to cause cancer and birth defects or other reproductive harm. Wash hands after handling.

▲WARNING

Some dust created by power sanding, sawing, grinding, drilling and other related activities contains chemicals to cause cancer, birth defects or other reproductive harm. Some examples of these chemicals are:

- Lead from lead-based paints
- Crystalline silica from bricks, cement and other masonry products
- Arsenic and chromium from chemically-treated lumber

Users of these tools should review the chemical composition of the work surface and any products in conjunction with the operation of these tools for any such chemicals prior to engaging in any activity that creates dust and/or microscopic particles.

Users should obtain the material safety data sheets from all identified chemicals, either from the manufacturer or their employer, and proceed to study, understand, and follow all instructions and warnings for exposure to such chemicals. Your risk from these exposures varies depending on how often you do this type of work.

To reduce your exposure to these chemicals, work in a well-ventilated area and work with approved safety equipment, such as dust masks that are specially designed to filter out microscopic particles.

PRODUCT SPECIFICATIONS

COMPONENT	SPECIFICATIONS
AIR INLET	3/8 IN.
AIR OUTLET	1/4 IN.
OPERATING PRESSURE	125 PSI MAX.
OPERATING TEMPERATURE	-10°F - 160°F
INLET AIR PRESSURE	200 PSI MAX.
GAUGE ACCURACY	+/- 5 PSI

▲WARNING

THE AIR SPLITTER IS DESIGNED TO BE USED WITH MANY DIFFERENT TYPES OF AIR TOOLS. ALWAYS REFER TO THE USER MANUAL OF THE TOOL BEING USED TO ENSURE THE PROPER PSI RATING IS NEVER EXCEEDED. NEVER EXCEED THE MAXIMUM PSI RATING FOR THE TOOL WHICH IS BEING USED.

Be aware of the air splitter tipping over while in use. If the air splitter would tip over, it will continue to operate. If the unit does tip over for safety, please return the unit to its designed work position having the air splitter in an upright position and having the weight of the item supported by the bottom housing.

- **Avoid working alone.** If an accident happens, an assistant can bring help.
- **Keep work area clean.** Never operate the product near flammable substances like gasoline, naphtha, cleaning solvents, etc. Work in a clean, well-ventilated area free of combustible materials. Cluttered areas invite injuries.
- **Observe work area conditions.** Don't expose to rain. Keep work area well lit.
- **Keep children away.** Children must never be allowed in the work area. Do not let them handle equipment, tools, or air hoses.
- **Dress properly.** Do not wear loose clothing or jewelry as they can be caught in moving parts. Protective, electrically nonconductive clothes and nonskid footwear are recommended when working. Wear restrictive hair covering to contain long hair.
- **Protect your eyes.** Wear safety glasses or a face shield when using this product.
- **Protect your hearing – Noise can harm your hearing.** Always wear ear protection to safeguard your hearing.
- **Use the right tool for the job.** Do not modify this product and do not use this product for a purpose for which it was not intended.
- **Stay alert.** Watch what you are doing. Use common sense. Do not operate any tool when you are tired.
- **Check for damaged parts.** Before each use, check all parts and determine that the product will operate properly and perform its intended function. Check for alignment of air hoses and binding of any moving parts at work site. Any part that is damaged should be properly repaired or replaced by a qualified technician.
- **Do not operate tool if under the influence of alcohol or drugs.** Your judgment or reflexes will be impaired if you are under the influence of alcohol or drugs. If there is any doubt, do not operate the tool.

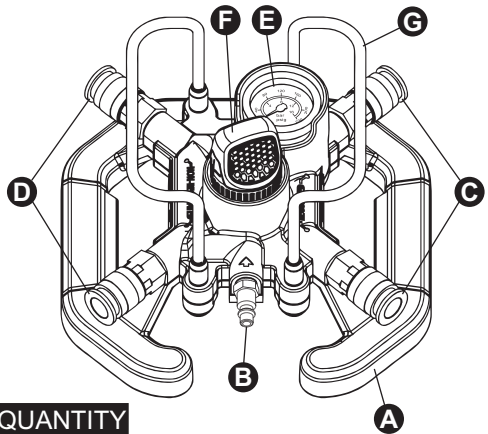
▲WARNING

- **Use proper size and type of air connection hose.** Any air connection hose must be of the proper size and type to supply the correct current to the tool.
- **Always use clean and dry compressed air.** Compressed air which is not filtered clean and dry will result in possible air passage block and/or parts rust.

The warnings, cautions, and instructions discussed in this instruction manual cannot cover all possible conditions and situations that may occur. It must be understood by the operator that common sense and caution are factors which cannot be built into this product, but must be supplied by the operator.

This product is designed to be used with air compressors having a regulated air supply that CANNOT exceed 200 PSI. This product IS NOT designed to be used with air compressors without an adjustable regulated output or are capable of exceeding outlet pressures greater than 200 PSI.

PACKAGE CONTENTS



PART	DESCRIPTION	QUANTITY
A	Air Splitter	1
B	3/8 in. Air Inlet	1
C	1/4 in. Air Outlet (Regulated)	2
D	1/4 in. Air Outlet (Unregulated)	2
E	Pressure Gauge	1
F	Regulating Knob	1
G	Handle	2

PREPARATION

Before operating this equipment, make sure that all parts are present. Compare parts with package contents list. If any part is missing or damaged, do not attempt to operate this equipment.

Estimated Assembly Time: 5 - 10 minutes

ASSEMBLY INSTRUCTIONS

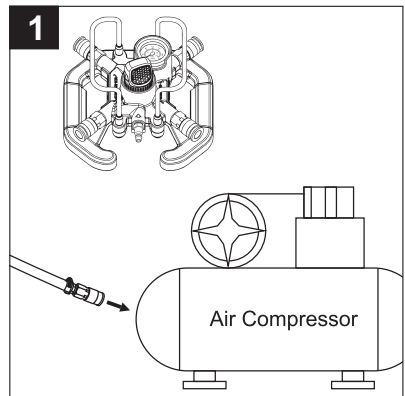
NOTE: This air splitter allows remote air regulation closer to the work area.

▲WARNING

- **Risk of bursting:** Can cause serious injury or death. Maximum 200 PSI inlet air pressure. Never operate tools or accessories above marked maximum pressure.
- **Risk of unsafe operation:** Reduce air pressure to 60 PSI maximum in air compressor tank before removing or connecting this air splitter to air compressor or connecting accessory hoses to unregulated 1/4 in. air outlets (D).
- **Risk of unsafe operation:** Reduce air pressure by adjusting the regulating knob (F) to 60 PSI maximum before removing or connecting air hoses to the regulated air outlets (C). Regulator was factory set at 20 - 40 PSI.
- **Risk of unsafe operation:** Firmly grasp hose in hand when installing or disconnecting to prevent hose whip.
- **Risk of unsafe operation:** Do not use damaged or worn accessories.

1. Reduce air pressure in air compressor tank to 60 PSI maximum.

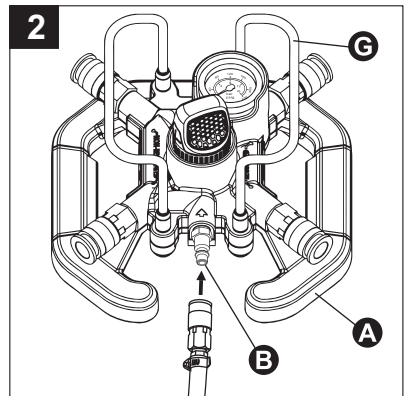
Attach one end of air connection hose (not included) with 3/8 in. quick-connect coupler (not included) to air compressor air outlet.



2. Attach other end of air connection hose with 3/8 in. quick-connect coupler (not included) to air inlet (B).

NOTE: The air splitter (A) can be brought closer to the work site and placed on flat surface.

NOTE: The air splitter (A) can also be temporarily mounted with handles (G). Whatever way is used to mount the air splitter (A) to a stable place, make sure that the air splitter is secure and safe.

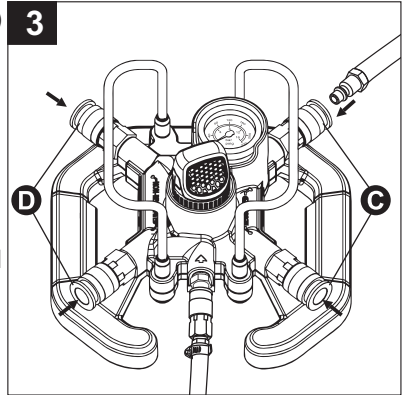


ASSEMBLY INSTRUCTIONS

3. Attach air hoses and accessories (not included) to air outlets (C or D).

NOTE: Air outlets (C and D) are 1/4 in. universal quick-connect couplers which accept the three most popular styles of quick-connect-plugs: Industrial, automotive, and ARO. One hand push-to-connect operation makes connections simple and easy.

NOTE: The available air pressure at the regulated air outlets (C) is adjusted/controlled by regulating knob (F) of air splitter (A). The available air pressure at the unregulated air outlets (D) is adjusted/controlled by air compressor regulator. Inlet air pressure **MUST NOT** exceed 200 PSI.

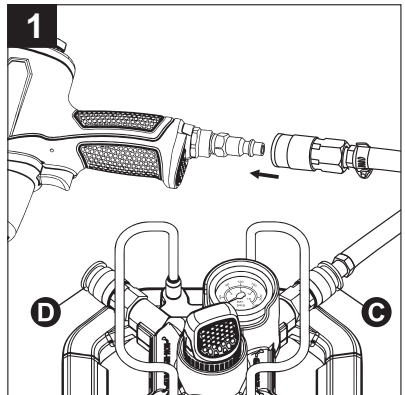


OPERATING INSTRUCTIONS

1. Attach your air tool to air hose connected with air outlets (C or D).

WARNING: Before attaching air tool to air hose connected with air outlets (C or D), reduce air pressure to 60 PSI maximum in air compressor tank.

Adjust regulator at air compressor to desired setting of air pressure. See air compressor instruction manual.

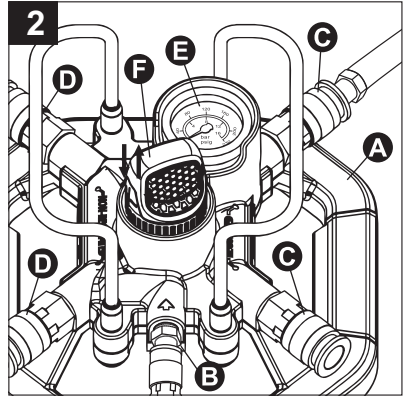


OPERATING INSTRUCTIONS

2. When you attach air tool to air hose connected with regulated air outlets (C), make sure that air pressure can be read on pressure gauge (E) by adjusting the regulating knob (F) of air splitter (A). Turn the regulating knob (F) clockwise to increase pressure and counterclockwise to decrease pressure.

NOTE: Before turning the regulating knob (F), you must first pull the knob upward and then turn clockwise or counterclockwise. Finally you have to lock the regulating knob (F) into position by pushing the knob down.

NOTE: The correct working pressure of air tool can be obtained in air tool manual.



3. When you attach air tool to air hose connected with unregulated air outlets (D), make sure that the working pressure for air tool is adjusted/controlled by air compressor regulator.

WARNING: Never exceed 200 PSI at air inlet (B) when you use unregulated air outlets (D) for air tool operation.

NOTE: The correct working pressure of air tool can be obtained in air tool manual.

NOTE: When using this air splitter, it is important to be sure that your compressor is sized to handle the increased load created by connecting multiple tools to air splitter simultaneously. Please be aware of the following:

Use with Pneumatic Nailers:

- Do not exceed the maximum recommended pressure (PSI) for your pneumatic nailer.
- Air hoses may cause up to 15 PSI drop in pressure, so you may need to set the compressor and/or regulator to a higher output to maintain the required pressure at the tool.
- The airflow (CFM) required to power multiple nailers simultaneously is dependent on the number of nailers and the rate at which they are being used. For example, a smaller portable compressor rated at 3 - 4 CFM may be able to sufficiently operate up to three nailers that are only being used occasionally. However, a much larger compressor with a CFM rating of 14 or higher may be required to simultaneously operate four nailers being used steadily at rapid production rates.
- Consult the owner's manuals included with your pneumatic nailers for specific details on airflow and air pressure requirements.

OPERATING INSTRUCTIONS

Use with Other Pneumatic Tools:

- Other pneumatic tools such as impact wrenches, grinders, sanders and spray guns typically have much higher airflow requirements than pneumatic nailers due to their longer operating cycles and run times.
- Air hoses may cause up to 15 PSI drop in pressure, so you may need to set the compressor and/or regulator to a higher output to maintain the required pressure at the tool.
- The airflow (CFM) required to power multiple pneumatic tools simultaneously is dependent on the number of tools connected and the rate at which they are being used. For example, a compressor rated at 8 - 12 CFM may be able to sufficiently operate two pneumatic tools that are only being used occasionally. However, a much larger compressor with a CFM rating of 20 or higher may be required to simultaneously operate two or more pneumatic tools being used frequently or continuously.
- Consult the owner's manuals included with your pneumatic tools for specific details on airflow and air pressure requirements.

CARE AND MAINTENANCE

1. Always operate the product with care by following all the warnings and instructions in this manual.
2. Always place the product on a flat surface or have it fixed safe and secure to a stable place for operation.
3. Always disconnect air connection hose and air supply when the product is not in use.
4. Inspect the product periodically and, if damaged, have it repaired by an authorized technician. When servicing, use only identical replacement parts. Use of any other parts will void the warranty. Only use accessories intended for use with this product. For your safety, maintenance should be performed regularly by a qualified technician.
5. When you are not using the product for a long time, disconnect it from air hoses, wipe it clean with a dry cloth and store it in a dry and safe place out of reach of children.

TROUBLESHOOTING

PROBLEM	POSSIBLE CAUSE	CORRECTIVE ACTION
Pressure gauge will not read or read incorrectly.	<ol style="list-style-type: none">1. Pressure gauge is damaged.2. Regulating knob has lost its function.3. There is air leakage at air splitter.	<ol style="list-style-type: none">1. Replace pressure gauge.2. Replace regulating knob.3. Replace seal gasket between top manifold and bottom housing.
Air splitter will not supply enough compressed air for tools.	<ol style="list-style-type: none">1. Seal gasket between top manifold and bottom housing is out of life, which results in air leakage.2. Air inlet or air outlets are possibly damaged and/or partially blocked.3. Air connection hoses are not of the proper size and type.	<ol style="list-style-type: none">1. Replace seal gasket.2. Check air inlet and air outlets for any damage and/or any block. Replace if damaged.3. Use proper size and type of air connection hoses for tool operation.

WARRANTY

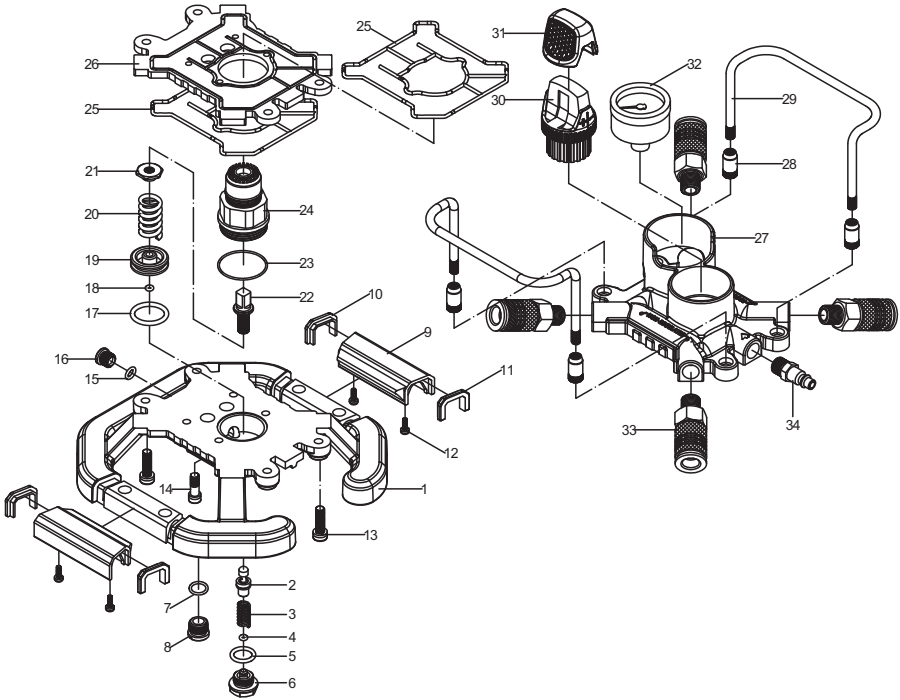
This tool is warranted by the manufacturer to the original purchaser from the original purchase date for one (1) year subject to the warranty coverage described herein.

This tool is warranted to the original user to be free from defect in material and workmanship. If you believe that a tool is defective, return the tool, with proper proof of purchase to the point of purchase. If it is determined that the tool is defective and covered by this warranty, the distributor will replace the tool or refund the purchase price.

This warranty is void if: defects in materials or workmanship or damages result from repairs or alterations which have been made or attempted by others or the unauthorized use of nonconforming parts; the damage is due to normal wear, damage is due to abuse (including overloading of the tool beyond capacity), improper maintenance, neglect or accident; or the damage is due to the use of the tool after partial failure or use with improper accessories or unauthorized repair or alteration.

This warranty gives you specific legal rights, and you may also have other rights that vary from state to state.

REPLACEMENT PARTS LIST



Part No.	Description	Qty.
1	Bottom housing	1
2	Stem valve	1
3	Spring	1
4	Φ6xΦ2x2 O-ring	1
5	Φ16xΦ12x2 O-ring	1
6	Nut	1
7	Φ14xΦ11x1.5 O-ring	1
8	Plug screw	1
9	Plastic grip	2
10	Decoration bar (L)	2
11	Decoration bar (R)	2
12	M4x12 Screw	4
13	M6x28 Screw	4
14	M5x22 Screw	4
15	Φ11xΦ7.8x1.6 O-ring	1
16	Plug screw	1
17	Φ27xΦ21x3 O-ring	1

Part No.	Description	Qty.
18	Φ7xΦ2.4x2.3 O-ring	1
19	Piston	1
20	Spring	1
21	regulating nut	1
22	Regulating shaft	1
23	Φ33xΦ28x2.5 O-ring	1
24	Regulating base	1
25	Seal gasket	2
26	seal base	1
27	Top manifold	1
28	Handle seat	4
29	Handle	2
30	Regulating knob	1
31	Knob cover	1
32	Gauge	1
33	1/4" air outlet	4
34	3/8" air inlet	1